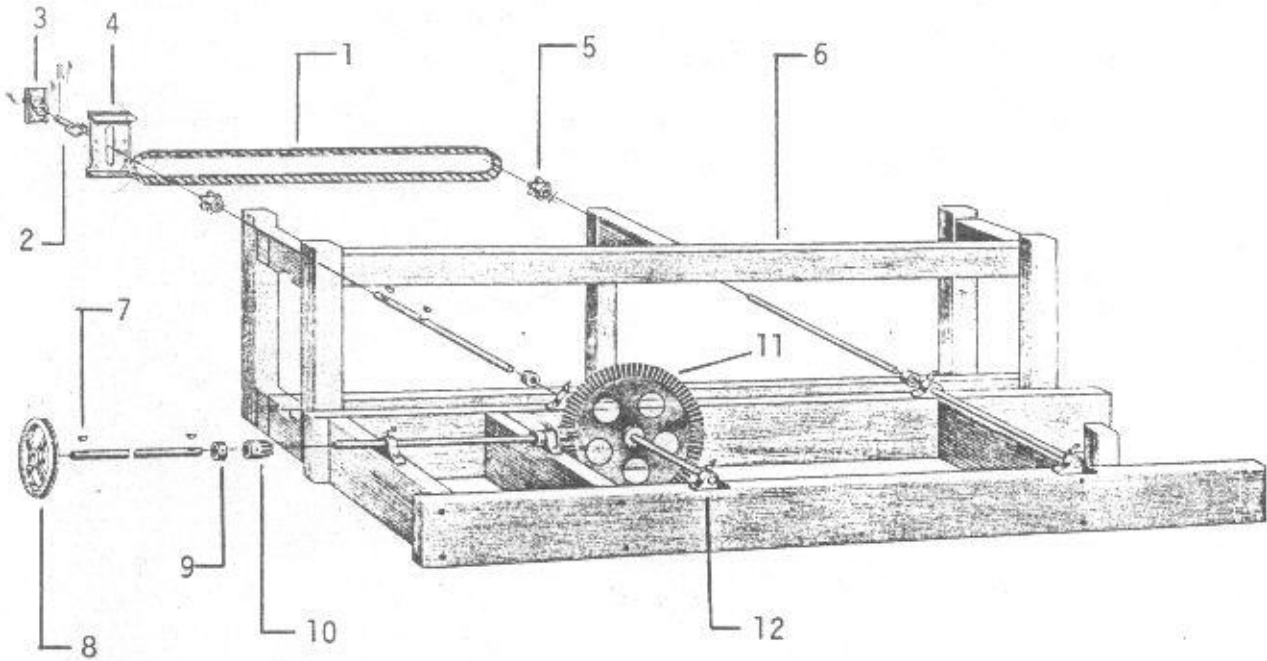


CLIPPER NO. 51 BRUSH JACK



ITEM	DESCRIPTION	QTY	PART NO.
1	28 Links # 51 Chain w/Attachment Link-#6	1	F01901110
	33 Links #51 Chain w/Attachment Link #7	1	F01901120
	41 Links #51 Chain w/Attachment Link #9	1	F01901130
	62 Links #51 Chain w/Attachment Link #8	1	F01901140
2	#51 Attachment Link	1	F11701900
3	Crosshead Slide	1	F11700200
4	Crosshead	1	F11700100
	Crosshead Assembly (Each Ass"y consists of Parts # 3 & # 4 in the Illustration.)	1	F11500000
5	7 Tooth Sprocket with Keyway & Set Screw , 3/4" Bore	2	F11700520
6	#7 Wood Way 39-5/8"	2	N/A
	#9 Wood Way 47-5/8"	2	N/A
	#8 Wood Way 59-5/8"	2	N/A
7	3/16 x 3/4 Woodruff Key	4	49302200
8	B 7.4 Sheave	1	43110155
	3/4" Bushing	1	44010506
9	3/4" Bore Set Collar	3	F01102002
10	Bevel Pinion Gear, 13 tooth	1	F11700700
11	Large Bevel Gear, 104 Tooth	1	F11700600
12	3/4" Bore Cast Iron Pillow Block	6	F01102100
	Slide Guide	2	F11800000

NOTE: Shafts and most wooden parts are no longer available for the #51 Brush Jack.