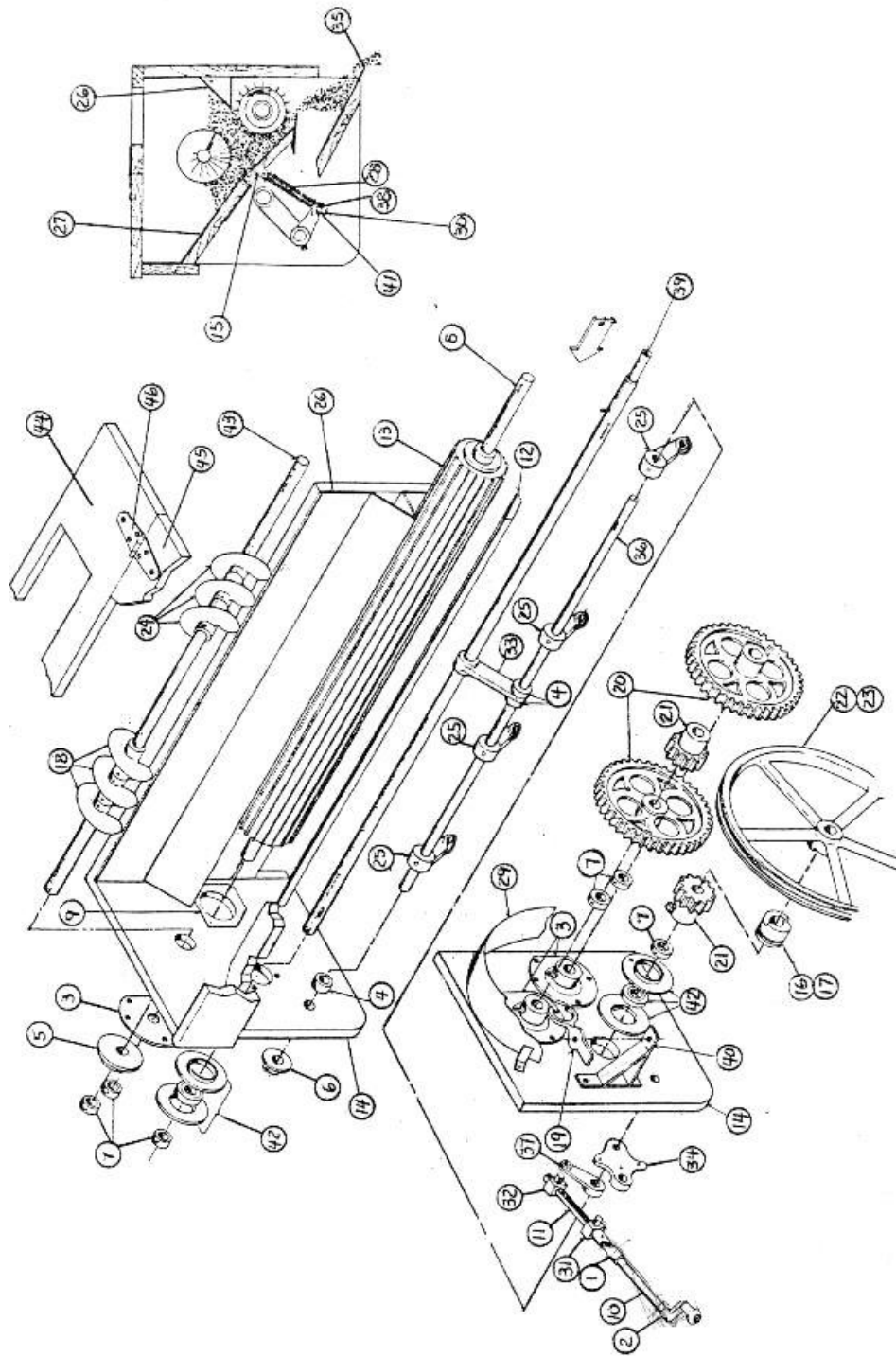


ROLL FEED HOPPER



CLIPPER

ROLL FEED HOPPER

ITEM DESCRIPTION	7 WIDE		9 WIDE		8 WIDE	
	QTY	PART NO.	QTY	PART NO.	QTY	PART NO.
1 U-Joint	1	F01005500	1	F01005500	1	F01005500
2 Hand Crank Assembly	1	F04001600	1	F04001600	1	F04001600
3 5-1/4" Flange Bearing, 1" Bore	1	F01100000	1	F01100000	1	F01100000
4 Cast Collar, 3/4" Bore	3	F01102002	3	F01102002	3	F01102002
5 3-1/2" Flange Bearing, 1" Bore	1	F01102800	1	F01102800	1	F01102800
6 Flange Bearing, 3/4" Bore	1	F01103000	1	F01103000	1	F01103000
7 Cast Collar, 1" Bore	3	F01103100	3	F01103100	3	F01103100
8 Roll Shaft, 1" Diameter	1	F01604310 (1" X 40")	1	F01604320 (1" X 48")	1	F01604330 (1" X 60")
9 Escutcheon Plates	2	F01801200	2	F01801200	2	F01801200
10 Control Rod		Need Length				
*11A Screw Shaft, Handle 5/8 x 6-3/4	1	F01805700	1	F01805700	1	F01805700
11 Screw Shaft, Universal 5/8 x 6 (Standard)	1	F01805800	1	F01805800	1	F01805800
12 Hopper gate assembly complete	1	F04003010	1	F04003020	1	F04003030
13 Roll Assembly w/ Staves and Flanges	1	F04003110	1	F04003120*	1	F04003130
				* Special Roll F0403140 39 3/4		
				* Special Roll Shaft F01640000		
14 End Board, Right or Left	2	F04108600	2	F04108600	2	F04108600
15 Gate lever Bracket	2	F04200300	3	F04200300	4	F04200300
16 Clutch, Right Hand	1	F04200500	1	F04200500	1	F04200500
17 Clutch, Left Hand	1	F04200600	1	F04200600	1	F04200600
18 Flight, Gear Shaft Left Hand		NONE	2	F04200700	3	F04200700
19 Clutch Handle, 16" long	1	F04201000	1	F04201000	1	F04201000
20 60 Tooth Sour Gear, 1" Bore	2	F04201300	2	F04201300	2	F04201300
21 15 Tooth Pinion Gear, 1" Bore	2	F04201400	2	F04201400	2	F04201400
22 16" Clutch Sheave, Right Hand	1	F04201700	1	F04201700	1	F04201700
23 16" Clutch Sheave, Left Hand	1	F04201800	1	F04201800	1	F04201800
24 Flight, Gear Shaft, Right Hand		NONE	2	F04201900	3	F04201900
25 Slide Lever	2	F04203100	3	F04203100	4	F04203100
26 Back Slide Metal	1	F04300310	1	F04300320	1	F04300330
		(15-1/8 X 30-1/16)		(15-1/8 X 38-1/16)		(15-1/2 X 50-1/16)
27 Front Slide Metal	1	F04300410	1	F04300420	1	F04300430
		(11-1/4 X 30-1/8)		(11-1/4 X 38-1/2)		(11-1/4 X 501/8")

* THIS SHAFT WOULD BE USED IF THE HAND CRANK ASSEMBLY (2) IS MOUNTED DIRECTLY ON THIS SHAFT

CLIPPER**ROLL FEED HOPPER**

ITEM DESCRIPTION	7 WIDE		9 WIDE		8 WIDE	
	QTY	PART NO.	QTY	PART NO.	QTY	PART NO.
28 Gate Spring	2	F92700009	3	F92700009	4	F92700009
29 Gear Guard	1	F04303900	1	F04303900	1	F04303900
30 Spring Guide Pins	2	F04312800	3	F04312800	4	F04312800
31 Pivot Nut, Plain	1	F04313100	1	F04313100	1	F04313100
32 Pivot Nut, Threaded	1	F04313200	1	F04313200	1	F04313200
33 Hopper Center Support		NONE	1	F04313400	1	F04313400
34 Swivel Plate, Cast Bearing	1	F04313500	1	F04313500	1	F04313500
35 Bottom Slide Plate, Metal	1	F04300510	1	F04300520	1	F04300530
		(8 X 30)		(8 X 38)		(8X 50)
36 Gate Shaft	1	F04314300	1	F043113000	1	F04314200
		(3/4 X 33)		(3/4 X 40-3/4)		(3/4 X 52-3/4)
37 Pivot Lever	1	F04314800	1	F04314800	1	F04314800
38 Drilled Balls		NONE		NONE		NONE
*39 Drive Shaft	1	F04304900	1	F04316400	1	F04316000
		(1 X 45-1/2)		(1 X 58)		(1X66-1/2)
40 Clutch Bracket	1	F04316200	1	F04316200	1	F04316200
41 Nylock Nuts (3/8 - 16)	2	70010002	3	70010002	4	70010002
42 Fafnir Bearing w/Flange, 1" Bore	2	F92460200	2	F92460200	2	F92460200
43 Spiral Shaft	1	F04307610	1	F04307630	1	F04307620
44 Top Hopper Board w/Hole	1	F04106610	1	F04106620	1	F04106630
45 Top Hopper Front Board	1	F04106640	1	F04106650	1	F04106660
46 Hinge, Hopper Top	2	F98200006	2	F98200006	2	F98200006
Complete Roll Feed Hopper	LH	F04000110	LH	F04000120	LH	F04000130
	RH	NONE	RH	F04000179	RH	F04000180

On S-29-D Some have roll 41 3/8 w/FL
The standard one is 39-1/2" w/FL No # Special Order

*** SOME DRIVE SHAFTS ARE LONGER. PLEASE MEASURE**